



S12-160AGM 12V 145Ah (C20)



CONSTANT CURRENT DISCHARGE (AMPS)

CUT OFF VOLTAGE V/CELL	30M	45M	1H	2H	3H	5H	8H	10H	12H	20H	24H
1.75V	135.3	99.9	82.4	43.7	32.9	23.0	15.8	13.1	11.1	7.3	6.1

CAPACITY in AH (C20)	RESERVE CAPACITY		CCA	
	@25AMPS	@75 AMPS	CCA@0°C	CCA@-18°C
145	279 Mins.	86 Mins.	975	820

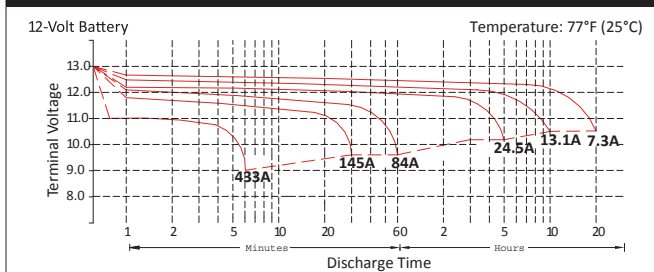
SPECIFICATIONS

Nominal Voltage		12 Volt
Rated Capacity (20 Hour Rate)		145AH
DIMENSIONS	Total Height (Including Terminals)	309mm
	Height	287mm
	Length	341mm
	Width	173mm
Weight		44.3Kg

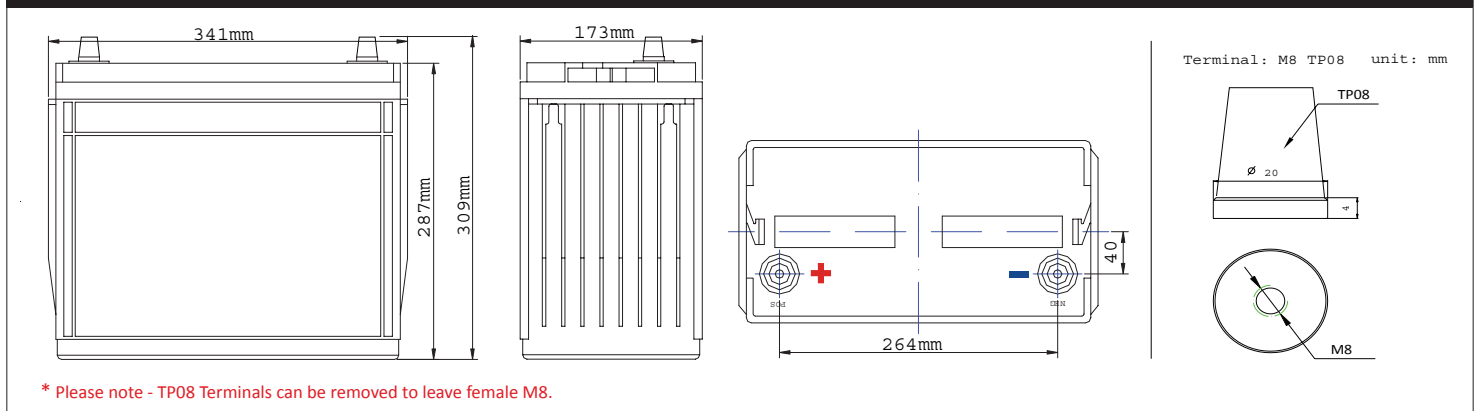
CHARACTERISTICS

Capacity 25°C (77°F)	20 Hour Rate (7.3A to 10.5 Volts)	145AH
	10 Hour Rate (13.1A to 10.5Volts)	131AH
	5 Hour Rate (24.5A to 10.2 Volts)	122AH
Internal Resistance	Full Charged Battery 25°C (77°F)	3.6mΩ
Capacity Affected by Temperature (20 Hour Rate)	40°C (104°F)	102%
	25°C (77°F)	100%
	0°C (32°F)	85%
	-15°C (5°F)	65%
Self-Discharge 25°C (77°F)	Capacity after 3 Month Storage	91%
	Capacity after 6 Month Storage	82%
	Capacity after 12 Month Storage	64%
Max. Discharge Current 25°C (77°F)	1400A (5s)	
Terminal	Standard	M8 (w/TP08* Brass AP & M included)
Charging (Constant Voltage)	Cycle	Initial Charging Current ≤ 0.2 x C20 14.5V ~ 14.9V/25°C(77°F)
	Float	13.6V ~ 13.8V/25°C(77°F)

DISCHARGE CHARACTERISTICS



SIZE & DETAILED ILLUSTRATION



This information is generally descriptive only and is not intended to make or imply any representation, guarantee or warranty with respect to any cells and batteries. Cell and battery designs/specification are subject to modifications without notice. Contact Rolls Battery for the latest information.

