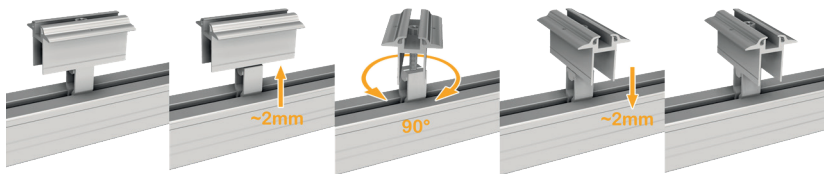




Your advantages with our products

- » Universal mid and end clamp for frame heights 28 mm - 50 mm
- » Vertical or horizontal mounting by simply lifting and turning the clamp 90°
- » Completely pre-assembled; compatible with all RAILS
- » Optimized warehousing
- » Convenient top-down installation
- » Only one tool required: Torx 40
- » 70 mm clamp length ensures a safe installation
- » All clamps also available in black anodized as well as with or without grounding pin for potential equalization
- » **Compatible with shim for clamps (Item no. 91701-00):**
- For easy enlargement of the support surface under the solar module



Horizontal or vertical by simply lifting and rotating the clamp



Mid clamp Vario
Item no. 91151-01



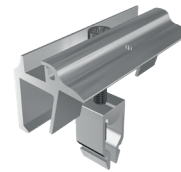
Mid clamp Vario, black anodized
Item no. 96151-01



Mid clamp Vario with grounding pin
Item no. 91121-01



Mid clamp Vario with grounding pin, black anodized
Item no. 96141-01



End clamp Vario
Item no. 91112-00



End clamp Vario with grounding pin, black anodized
Item no. 96112-00



End clamp Vario with grounding pin
Item no. 91114-00



End clamp Vario with grounding pin, black anodized
Item no. 96114-00

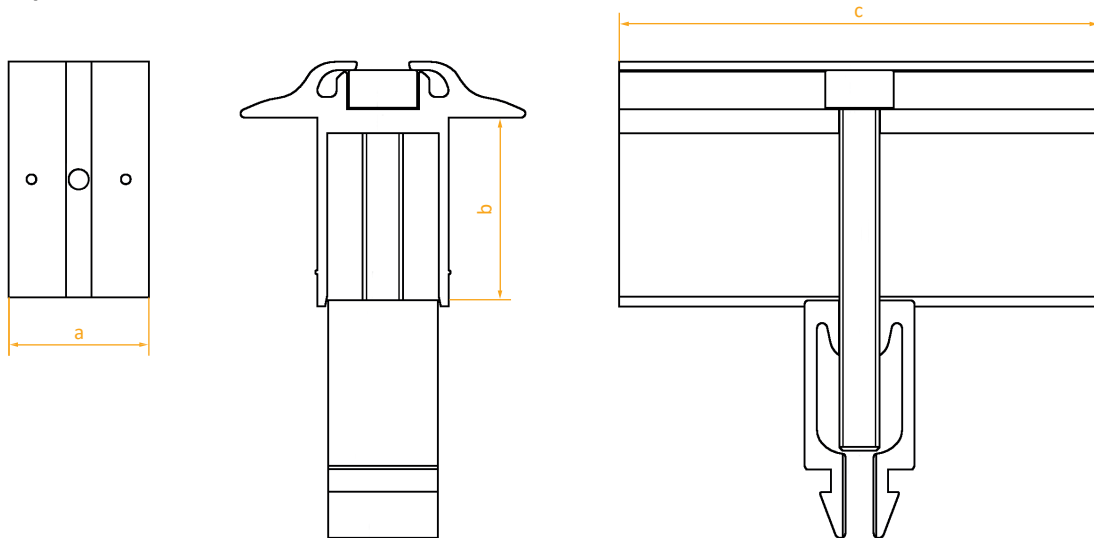
*Our warranty conditions apply.
They are available at www.sl-rack.com



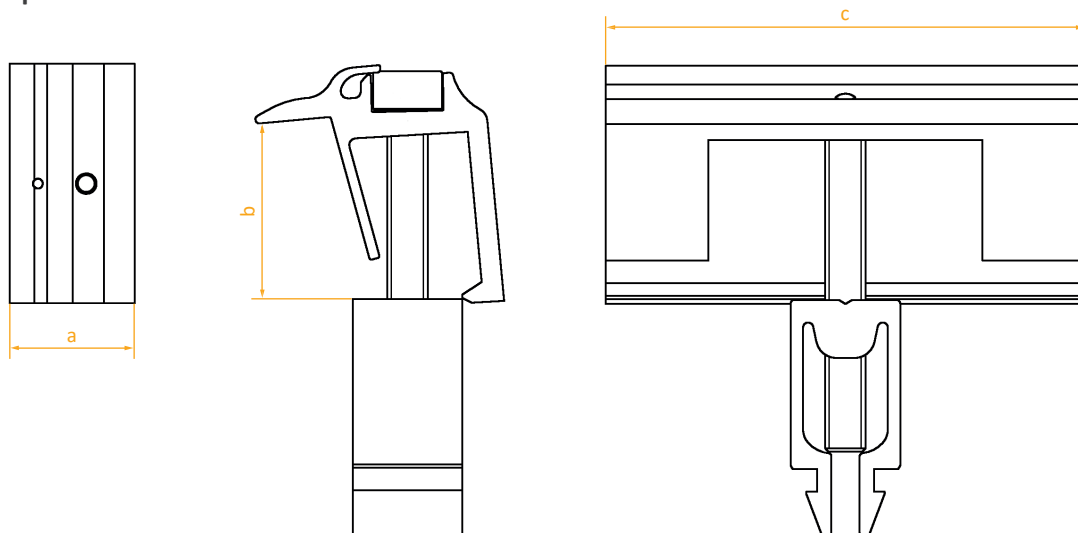
Dimensions

	a	b	c
Mid clamp Vario	approx. 41,6 mm	approx. 27,6 mm	approx. 70 mm
End clamp Vario	approx. 36,3 mm	approx. 25,7 mm	approx. 70 mm

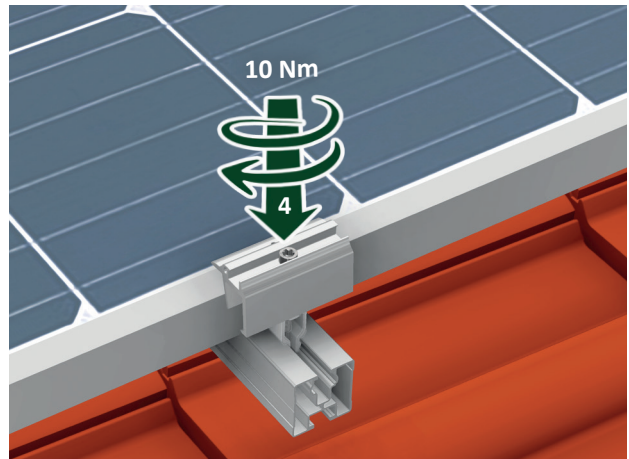
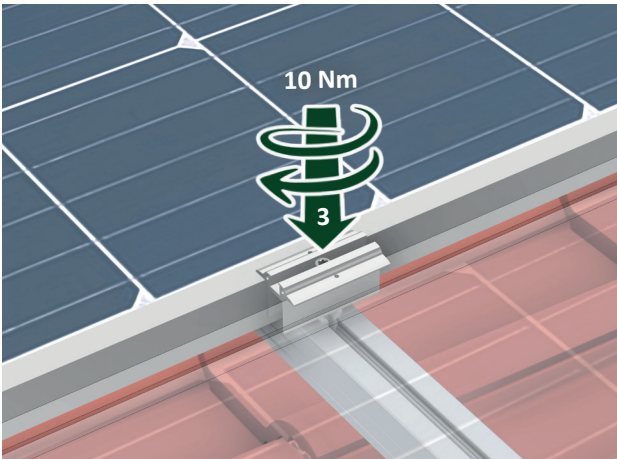
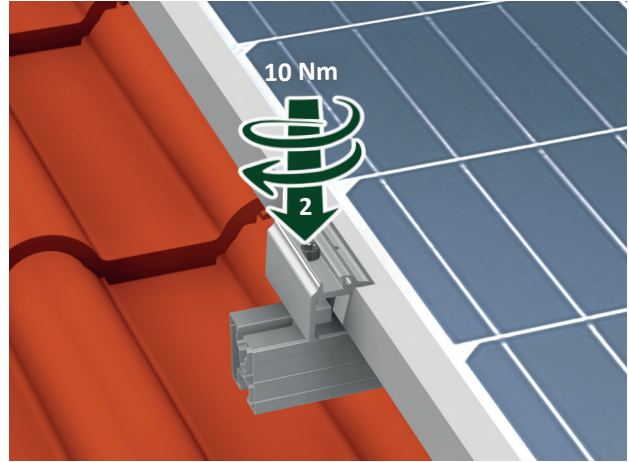
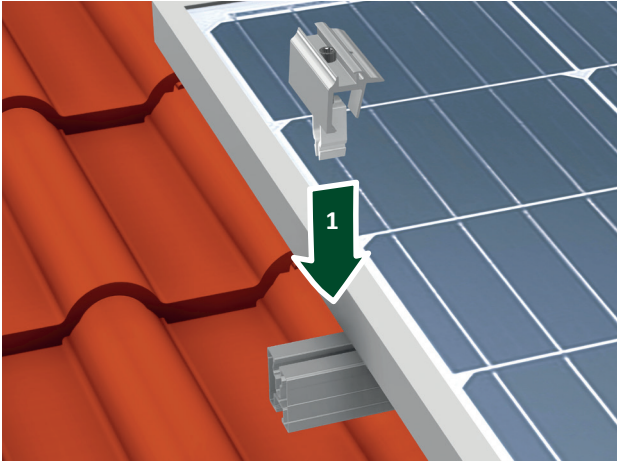
Mid clamp Vario



End clamp Vario



Installation



1. Place the first modul on the rail and press the claw of the end clamp into the rail channel
2. Tighten the end clamp with Torx 40 (10 Nm)
3. Use mid clamps between panels (Torx 40 with 10 Nm)
4. Finalize the row with end clamps (Torx 40 with 10 Nm)



Technical Data

Material	Aluminum (clamp), stainless steel (grounding pin, bolt)
Design Tool	SL-Rack-Configurator Solar.Pro.Tool
Statik	The structural analysis is carried out in accordance with the current country-specific standards (EN 1991, EC1 for Germany). Depending on snow loads, wind loads, or when utilizing large modules, it may be necessary to use more than the usual 4 fastening points. Make sure to observe the installation manual of the respective module manufacturer. The load-bearing capacity of the roof has not been evaluated by SL Rack.

Your opinion is important to us!

We want to make your everyday work easier.
Your praise, criticism and suggestions for improvement help
us to do this. We look forward to your feedback.



SL Rack **Feedback**
[Provide Feedback >](#)



SL Rack **Website**
[Check it out >](#)



SL Rack **YouTube**
[Watch videos >](#)

Find us on



Subject to technical
changes and misprints.

Version 04/2024 V19